

AFI presents
THE GENERATION

ISA

CENTRIFUGES FOR CLINIC AND CHEMISTRY

From Experience comes Excellence



2025



Groups

UNIQUE FRENCH MANUFACTURER

AFI Centrifuge, the only French manufacturer based in Château-Gontier in FRANCE, has been designing and manufacturing innovative centrifuges since 2009. AFI centrifuges have been designed to meet the needs and requirements of medical analysis laboratories, research laboratories, veterinary laboratories, hospitals, etc.

Offering a wide variety of rotors and accessories, the user will have at his disposal all the solutions to meet the required protocols. Available in both ventilated and refrigerated versions, AFI centrifuges are designed to be used with all types of tubes, vials and bottles available on the market.

With more than 20 years of experience in the field of biomedical engineering, electronics and electromechanics, AFI presents today a wide range of versatile and innovative centrifuges



Philippe LE GUYADER



CENTRIFUGES RANGE



LIA
Micro Centrifuges*
Mini, Micro & Labo



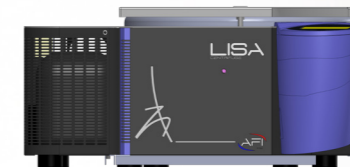
LINA
Research Centrifuge
Micro & multifonction



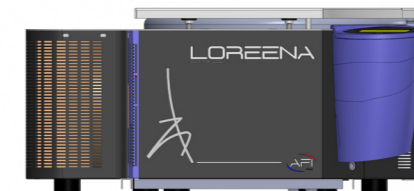
SIRENA
Centrifuge MultiLab
0.6 L



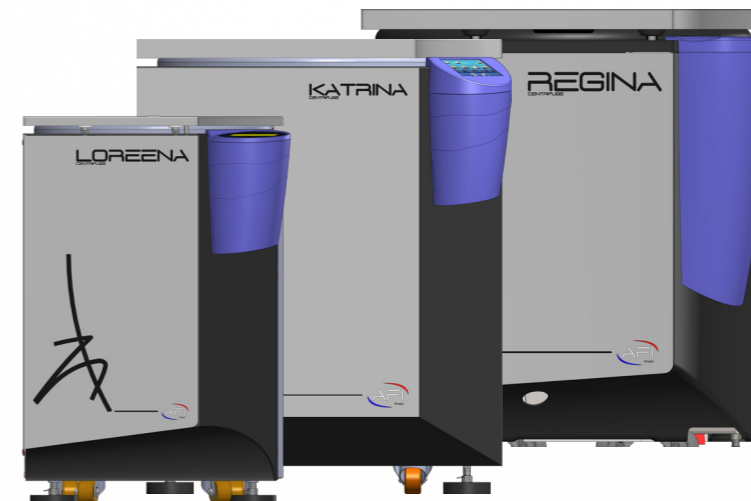
ISA
Clinical centrifuge
0.6 L



LISA
Centrifuge MultiLab
1.0 L à 2.5 L



LOREENA
Centrifuge MultiLab
1.6 L à 4 L



KATRINA
High Capacity Centrifuge
12 L

REGINA
High Capacity Centrifuge
16 L

LIA

Rotor 24 micro tubes
 15 000 Rpm/ 21 380 x g
 Ventilated & Refrigerated
 8 rotors

LINA

Rotor 48 micro tubes
 Rotor 6x 50mL
 Rotor 6 Micro plates
 23 000 Rpm/ 39 625x g
 Ventilated & Refrigerated
 11 rotors

SIRENA

24-36 tubes 5/7 mL
 6x 100mL
 18 000 Rpm/ 31514 x g
 Refrigerated
 Interactive display
 Touch screen, 99 programs,
 17 rotors

ISA

40 tubes 5/7 mL
 6700 Rpm/ 6324 xg
 Ventilated, Refrigerated & **Reversible**
 Touch Screen, 99 programs,
 11 rotors

High Capacity Blood bank / Industry

KATRINA

12 Liters
 4900 Rpm/ 7301 x g
 Refrigerated Floor
 Interactive communication, Touch screen,
 Integral, 6 Rotors

LOREENA

108- 200 tubes 5/7 mL / 12x 50 mL
 16000 Rpm/ 28 335x g
 Ventilated & Refrigerated
 & Floor, **Reversible**
 Interactive communication,
 Click Spin, Touch Screen,
 15 Rotors

LISA

60-92 tubes 5-7 mL/ 8x100mL
 18 000 Rpm/ 31514 x g
 Ventilated, Refrigerated & **Reversible**
 Interactive Communication, Click Spin, Touch
 Screen, 18 Rotors



Centrifuge COMPACT-LINE

ALL OF A BIG

ISA will be indispensable for your daily laboratory tasks in small offices and hospitals. Up to 40 5/7mL tubes can be centrifuged in dedicated applications.

POLYVALENT

It is ideal for clinical chemistry but will also find its place in research laboratories with its range of angle rotors 15mL, 50mL, 85mL, no tube can resist it.

COMPACT

Thanks to its compactness and small size, ISA will be discreet and easy to place on your benches. It will go from 0.4 to 0.6L and thus provide support on a rise in activity.

SMALL AND CUTE

Its small and cute design will seduce you. The central wheel and large display will make your navigation easier. She will become your best friend.

CITOLOGY APPLICATION

Citology application is available on ISA, thanks to the dedicated rotor. You can centrifuge 12 simple or double funnels.



Centrifuge Description		
AFI-CI060V-E	ISA Centrifuge Ventilated	
AFI-CI060R-E	ISA Centrifuge Refrigerated	
AFI-CI060RH-E	ISA Centrifuge Heated	
Specifications	Swing-out rotor	Angular Rotor
Max Speed	4500rpm	6700rpm
Max RCF	3396g	6331g
Max Loading	4x150ml	6x85ml
Dim. (HxWxD)	34x39x51cm	
Pack dim.	47x47x70cm	
Weight	40kg	



Reversible centrifuge Refrigerated & heated

Thanks to its red electronic block, you'll immediately notice the new range of reversible centrifuges.

Its reversible refrigeration unit maintains a constant & precise temperature for protocols at 37°C or 4°C (+/- 2°C)

Its ultra-fast temperature rise (less than 9 minutes from ambient to 37°C) and fall (less than 7 minutes from ambient to 4°C) mean it can be used for a wide variety of applications in medical analysis laboratories (cryoglobulins), cosmetics laboratories and industry.

Finally, the pre-cooling and pre-heating functions are programmed as standard at 4°C and 37°C.

However, these can be modified to create your own programmes. (e.g. pre-cooling to 10°C or pre-heating to 30°C)

More efficient reversible technology, without heating resistor.



AFI-CI060RH-E ISA Centrifuge Heated (reversible technology)		
Specifications	Swing-out rotor	Angular Rotor
Max Speed	4500rpm	6700rpm
Max RCF	3396g	6331g
Max Loading	4x150ml	6x85ml
Dim. (HxWxD)	34x39x51cm	
Pack dim.	47x47x70cm	
Weight	40kg	

ULTRA FAST temperature rise
< 9 mn from 20°C to 37°
< 7 mn from 20°C to 4°C



Our best compact clinical centrifuge

COMPACT

Thanks to its compactness and small size, ISA will be perfect for your laboratory tasks. Up to 40 tubes 5/7 mL can be centrifuged.

INTERNATIONAL AUTOMATIC ELECTRICAL CORRECTION

International automatic correction of the electrical network. Guarantees stability of the machine's performance.

Its major assets

6 reasons

to choose it

INTERACTIVE DISPLAY

With its digital LCD display, tilted for better visibility, ISA will help you to get started with the machine.

A real pleasure of simplicity.

With its unique illuminated displays, ISA will monitor your samples and confirm whether or not the cycle is running smoothly

SMART COLOR COMMUNICATION

Centrifuge's electronic functions integrated into a front central unit. Plug & play system guaranteeing a fast and efficient intervention

THE BLUE BOX

Updating centrifuges by a simple USB connection on the front panel.

USB CONNECTION



	SMALL	MEDIUM	LARGE
Ref.	AFI-MT550	AFI-MT750	AFI-MT850
Dimensions wxhxd (mm)	550x560x700	750x560x700	850x560x700
	2 tiroirs, 4 roulettes avec frein / 2 drawers, 4 wheels with brake		
LINA V	✓		
LINA R	✓		
ISA V	✓		
ISA R	✓		
SIRENA	✓		
LISA V	✓		
LISA R		✓	
LOREENA V		✓	
LOREENA R			✓

We offer you a range of AFI furniture dedicated to your centrifuges.

These furniture have been designed to last. They are reinforced with a metal frame to ensure robustness. They are equipped with 4 castors with brakes for more mobility and flexibility in your laboratory.

The large drawers allow you to place all your accessories.

These furniture are for you !

Swinging bucket rotors

Accessories selection guide

ISA ACCESSORIES	AFI-RXN100	AFI-RXN150		AFI-RHDW-N150	AFI-RCYTO-N150	
ISA ACCESSORIES	-	AFI-B150	AFI-SB150	AFI-DB50*	AFI-BHDW-N150*	-
Max Capacity (ml)	4x100	4x150	4x150	8x50	8 Microplates	12 Funnels
Max Charge (gr)	260	260	260	2x67	575	
Max Speed (rpm)	4 100	4 500	4 500	4 500	4 500	2 000
Max RCF (g)	2 932	3 396	3 419	3 464	2 400	438
Cavity dim (ØxD) or (WxLxD)		Ø51x97	52x52x97	Ø30x70	91x132x35	
Lid		✓	✓			
Acc/ Dec (s)	55 55	70 60				
Tubes	ml	Ø x L				
	1,1-1,4	8x82	32	32	36	24
	1,5-2	11x38	-	48	72	24
	1,5-2	12,5x40	-	32	36	24
	1,3	10x45	32	32	36	24
	1,6-7	13x75-100	40	24	36	8
	2,6-4,9	13x81-106	40	24	36	8
	1,2-5	11x82-108	40	24	36	8
	4-8,5	15x91-108	28	16	24	8
	7-10	16x100	28	16	24	8
	10	21x90	-	12	16	8
	15	17x120	12	8	8	8
	30	25x110	-	4	4	8
	30	25x110	-	4	4	8
	30	25x95	-	4	4	8
	50	29x115	-	4	4	8
	50	29x115	4	4	4	8
	50 OAK	29x107	-	4	4	8
	80 OAK85 OAK	38x106	-	4	4	8
	100	44x100	4	-	-	-
	Micro Plates		-	-	-	8
	Deep Well		-	-	-	2
	Funnel		-	-	-	12

* Unsealed

AFI RXN-100

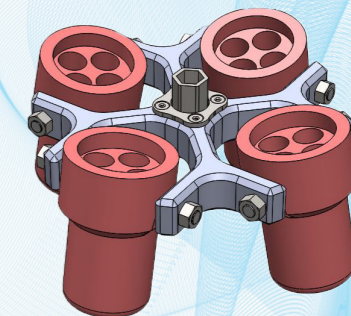
Adapters selection guide

DEDICATED PLASTIC BUCKETS

Model	V	R
Max Capacity	4 x 100ml	
Angle	90°	
RPM Max	4 100	4 100
ACR Max	2 932	2 932

Accessories

Ref.	AFI-RXN100
------	------------



Tubes

Capacity (ml)	1,1-1,4		1,3		5		1,6-5		5-7	
Ø x L (mm)	8x82		10x45		12x75		13x75		13x100	
Tubes per adapter / rotor	8 32	13 52	8 32	13 52	13 52	7 28	10 40	7 28	10 40	
Hole Ø x L (mm)	9,5x55	9,5x55	11x40	11x40	13,5x58	13,5x58	13,5x58	13,5x80	13,5x80	
Radius (mm)	120	125	99	100	131	131	132	141	143	
Max Charge (gr)	120	200	80g	200	120	200	120	200	200	
Ref.	ISA-PRBT1	ISA-PSBT1	ISA-PRBT1.3	ISA-PSBT1.3	ISA-PSBT5-G12	ISA-PRBT5	ISA-PSBT5	ISA-PRBT6	ISA-PSBT6	

Tubes

Capacity (ml)	2,6-4,9		5-7		2,7-3		4,5-5	
Ø x L (mm)	13x81		13x100		11x82		11x108	
Tubes per adapter / rotor	7 28	10 40	7 28	10 40	8 32	13 52	8 32	13 52
Hole Ø x L (mm)	13,5x58	13,5x58	13,5x80	13,5x80	12,5x55	12,5x55	12,5x80	12,5x80
Radius (mm)	131	132	141	143	120	125	137	139
Max Charge (gr)	120	200	120	200	120	200	120	200
Ref.	ISA-PRBT5	ISA-PSBT5	ISA-PRBT6	ISA-PSBT6	ISA-PRBT5ST	ISA-PSBT5ST	ISA-PRBT6ST	ISA-PSBT6ST

Tubes

Capacity (ml)	4-8,5		7-10		15	50	100
Ø x L (mm)	15x91 108		16x100		17x120	29x115	44x100
Tubes per adapter / rotor	4 16	7 28	4 16	7 28	3 12	1 4	1 4
Hole Ø x L (mm)	17,5x 80	17,5x 83	17,5x 80	17,5x 83	18x80	30x70	46x80
Radius (mm)	142	145	142	145	156	147	147
Max Charge (gr)	120	200	120	200	100	120	200
Ref.	ISA-PRBT10	ISA-PSBT10	ISA-PRBT10	ISA-PSBT10	ISA-PRBT15C	ISA-PRBT50C	ISA-PRBT100

AFI RXN-150

Adapters selection guide

AFI-B150 : ROUND BUCKETS

Model	V	R
Max Capacity	4 x 150ml	
Angle	90°	
RPM Max	4 500	4 500
ACR Max	3 396	3 396

Accessories



Ref.	AFI-RXN150	AFI-B150*	AFI-L150*	AFI-SB150*	AFI-LSB150*	AFI-DB50*
------	------------	-----------	-----------	------------	-------------	-----------

* Set of 4

Tubes

Capacity (ml)	1,1-1,4	1,5-2	1,5-2	1,3	1,6-7	2,6-4,9	1,2-5	4-8,5	7-10	10
∅ x L (mm)	8x82	11x38	12,5x40	10x45	13x75 100	13x81 106	11x82 108	15x91 108	16x100	21x90
Tubes per adapter / rotor	8 32	12 48	8 32	9 36	7 28		8 32	4 16		3 12
Adapter										
Hole ∅ x L (mm)	9x50	11,25x40	13x30	11x40	13,5x58		12,5x55	17x58		22x80
Radius	150	145	90 145	125	143	148	140	148	150	
Max Charge (gr)	260									
Ref.	AFI-06T1	AFI-06T2	AFI-06T2CRYO	AFI-06T1.3	AFI-06T5*		AFI-06T5ST*	AFI-06T10		AFI-06T10C

* For tube length > 80mm and ACR > 3000g, we preconise using adapter AFI-06T6 or AFI-06T6ST

Tubes

Capacity (ml)	15	30	30	30	50	50	50	50	80 / 85	100
∅ x L (mm)	17x120	25x110	25x110	25x95	29x115	29x115	29x115	29x107	38x106	44x100
Tubes per adapter / rotor	2 8	1 4	1 4	1 4	1 4	1 4	1 4	1 4	1 4	1 4
Adapter										
Hole ∅ x L (mm)	18x80	26x60	26x60	26,5x70	30x70	30x70	30x70	30x70	40x78	46x90
Radius	150	150	148	148	149	149	150	149	149	148
Max Charge (gr)	260									
Ref.	AFI-06T15C	AFI-06T30S	AFI-06T30C	AFI-06T30AOR	AFI-06T50S	AFI-06T50CS*	AFI-06T50C	AFI-06T50AOR	AFI-06T80AOR	AFI-06T100

* For protocols < 3500g



AFI-SB150 : SQUARE BUCKETS

Model	V	R
Max Capacity	4 x 150ml	
Angle	90°	
RPM Max	4 500	4 500
ACR Max	3 419	3 419

Accessories



Ref.	AFI-RXN150	AFI-B150*	AFI-L150*	AFI-SB150*	AFI-LSB150*	AFI-DB50*
------	------------	-----------	-----------	------------	-------------	-----------

* Set of 4

Tubes

Capacity (ml)	1,1-1,4	1,5-2	1,5-2	1,3	1,6-7	2,6-4,9	1,2-5	4-8,5	7-10	10
∅ x L (mm)	8x82	11x38	12,5x40	10x45	13x75 100	13x81 106	11x82 108	15x91 108	16x100	21x90
Tubes per adapter / rotor	9 36	18 72	9 36	9 36	9 36		9 36	6 24		4 16
Adapter										
Hole ∅ x L (mm)	9x50	11,25x40	13x30	11x40	13,5x58		12,5x55	17x58		22x80
Radius	151	145	90 145	125	141	148	146	148	150	
Max Charge (gr)	260									
Ref.	AFI-06T1-SB	AFI-06T2-SB	AFI-06T2CRYO-SB	AFI-06T1.3-SB	AFI-06T5-SB*		AFI-06T5ST-SB	AFI-06T10-SB		AFI-06T10C-SB

* For tube length > 80mm and ACR > 3000g, we preconise using adapter AFI-06T6-SB or AFI-06T6ST-SB

Tubes

Capacity (ml)	15	30	30	30	50	50	50	50	80 / 85	100
∅ x L (mm)	17x120	25x110	25x110	25x95	29x115	29x115	29x115	29x107	38x106	44x100
Tubes per adapter / rotor	2 8	1 4	1 4	1 4	1 4	1 4	1 4	1 4	1 4	1 4
Adapter										
Hole ∅ x L (mm)	18x80	26x60	26x60	26,5x70	30x70	30x70	30x70	30x70	40x78	46x90
Radius	151	150	148	147	178	149	150	149	149	149
Max Charge (gr)	260									
Ref.	AFI-06T15C-SB	AFI-06T30S-SB	AFI-06T30C-SB	AFI-06T30AOR-SB	AFI-06T50S-SB	AFI-06T50CS-SB*	AFI-06T50C-SB	AFI-06T50AOR-SB	AFI-06T80AOR-SB	AFI-06T100-SB

* For protocols < 3500g

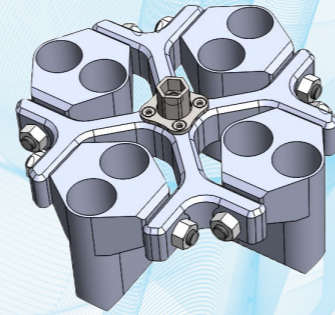
AFI RXN150 + DB50

Adapters selection guide

AFI-RXN150 + DB50

AFI-DB50 : CONICAL BUCKETS

Model	V	R
Max Capacity	4 x 150ml	
Angle	90°	
RPM Max	4 500	4 500
ACR Max	3 464	3 464



Accessories

Ref.	AFI-RXN150	AFI-B150*	AFI-L150*	AFI-SB150*	AFI-LSB150*	AFI-DB50*

* Set of 4

Tubes

Capacity (ml)	1,1-1,4	1,5-2	1,5-2	1,3	1,6-5	2,6-4	2,7-3	5-7	4,9	4,5-5	10
∅ x L (mm)	8x82	11x38	12,5x40	10x45	13x75	13x81 91	11x82	13x100	13x106	11x108	21x90
Tubes per adapter / rotor	3 24	3 24	3 24	3 24	1 8		3 24	1 8	1 8	1 8	1 8
Adapter											
Hole ∅ x L (mm)	9x50	11,25x40	13x30	11x40	13,5x58	12,5x55	13,5x78	13,5x78	12,5x80	141	22x80
Radius	153	131	106	96	124	121	124	124	141	150	
Max Charge (gr)	2x67										
Ref.	AFI-50R1-2	AFI-50R2-2	AFI-50R2CRYO-2	AFI-50R1.3-2	AFI-50R5-2	AFI-50R5ST-2	AFI-50R7-2	AFI-50R7-2	AFI-50R6ST-2	AFI-50R10C-2	

Tubes

Capacity (ml)	4-8,5	7-10	10	15	30	30	30	50	50	50
∅ x L (mm)	15x91 108	16x100	16x85	17x120	25x110	25x110	25x95	29x115	29x115	29x107
Tubes per adapter / rotor	1 8									
Adapter										
Hole ∅ x L (mm)	17x78	17x70	18x80	26x60	26x60	26,5x70	30x70	30x70	30x70	30x70
Radius	153	134	134	152	134	140	143	134	152	142
Max Charge (gr)	2x67									
Ref.	AFI-50R10-2	AFI-50R10-OAK-2	AFI-50R15C-2	AFI-50R30S-2	AFI-50R30C-2	AFI-50R30-OAK-2	AFI-50R50S-2	-	-	AFI-50R50-OAK-2

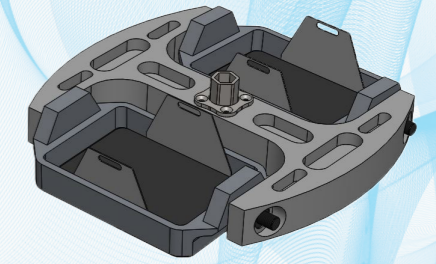
MICROPLATES

Accessories selection guide



AFI-RBHDWN-150 : 8 MICROPLATES

Model	V	R
Max Capacity	-	
Angle	90°	
RPM Max	4 500	4 500
ACR Max	2 400	2 400



Microplates

Capacity (ml)	-	-	-	-
Max Height (mm)	-	-	55	55
Tubes per adapter / rotor	-	-	4 8	1 2

Accessories

Hole ∅ x L (mm)	-	-	-
Radius	106	-	106
Max Charge (gr)	575		
Ref.	AFI-RBHDWN-150	AFI-RHDWN-150	AFI-BHDWN-150*

* Set of 2

FIXED ANGULAR ROTOR

Accessories selection guide



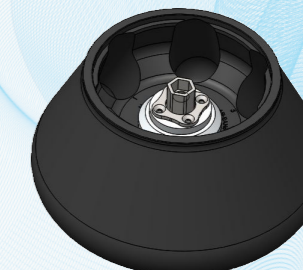
ISA ACCESSORIES	AFI-RAN6-85	AFI-FAN6-50	AFI-RAN6-50	AFI-RAN12-15	AFI-RAN30-15
Max Capacity (ml)	6x85	6x50	6x50	12 tubes	30x15
Max Speed (rpm)	6 700	5 600	5 600	6 700	4 500
Max RCF (g)	5 320	4 383	4 383	6 324	3 328
Lid		✓			
Acc/ Dec (sde)			140 90	110 100	

Tubes	ml	Ø x L	AFI-RAN6-85	AFI-FAN6-50	AFI-RAN6-50	AFI-RAN12-15	AFI-RAN30-15
	0,2-0,25		-	-	-	-	-
	0,5		-	-	-	-	-
	1,1-1,4	8x82	12	18	18	-	-
	1,5-2	11x38	24	18	18	-	-
	1,5-2	12,5x40	24	18	18	-	-
	1,6-5	13x75	12	6	6	12	30
	5-7	13x100	12	6	6	-	30
	2,6-4,9	13x81-106	112	6	6	-	-
	1,2-5	11x82-108	12	6	6	-	-
	5	16,5x60	-	-	-	-	-
	4-8,5	15x91-108	12	6	6	-	-
	10	16x100	12	6	6	12	30
	10 OAK	16x85	6	6	6	-	-
	10	21x90	6	6	6	-	-
	15	17x120	6	6	6	12	30
	30	25x110	6	6	6	-	-
	30	25x110	6	6	6	-	-
	30 OAK	25x95	6	6	6	-	-
	50	29x115	6	6	6	-	-
	50 OAK	29x107	6	6	6	-	-
	80 OAK 85 OAK	38x106	6	-	-	-	-
	94	38x102	6	-	-	-	-



Angular rotor 6x85ml - 28°

Model	V	R
Max Capacity	6 x 85ml	
Angle	28°	
RPM Max	6 700	6 700
ACR Max	5 320	5 320



Accessories



Ref.	AFI-RA6-100
------	-------------

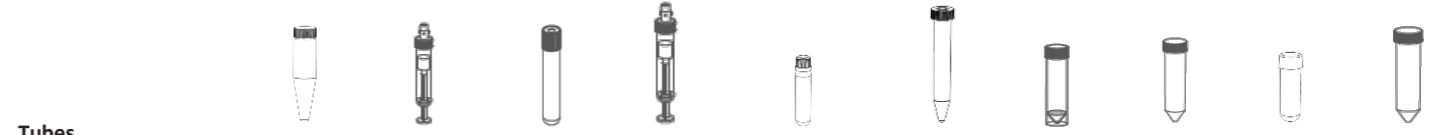


Tubes

Capacity (ml)	1,1-1,4	1,5-2	1,5-2	1,3	1,6-5	2,6-4	2,7-3	5-7	4,9	4,5-5
Ø x L (mm)	8x82	11x38	12,5x40	10x45	13x75	13x81 91	11x82	13x100	13x106	11x108
Tubes per adapter / rotor	2 12	4 24	4 24	5 30	2 12		5 30	2 12		1 6

Adapter

Hole Ø x L (mm)	9x50	11,25x40	13x30	11x40	13,5x58		12,5x55	13,5x78	
Radius	106	87 103	83 104	90 110	87 103		89 111	87 103	
Ref.	AFI-100R1-2	AFI-100R2-2	100R2CRYO-	AFI-100R1.3-2	AFI-100R5-2		AFI-100R5ST-2	AFI-100R7-2	



Tubes

Capacity (ml)	10	4-5	7-10	5-8	10	15	30	30	30	50
Ø x L (mm)	21x90	15x91	16x100	15x108	16x85	17x120	25x110	25x110	25x95	29x115
Tubes per adapter / rotor	1 6	2 12		1 6	1 6	1 6	1 6	1 6	1 6	1 6

Adapter

Hole Ø x L (mm)	22x80	17x78		17x80	17x70	18x80	26x60	26x60	26,5x70	30x70
Radius	106	87 103		107	87 103	95	96	96	94	101
Ref.	AFI-100R10C-2	AFI-100R10-2		AFI-100R10ST-2	AFI-100R10-OAK-2	AFI-100R15C-2	AFI-100R30S-2	AFI-100R30C-2	AFI-100R30-OAK-	AFI-100R50C-2



Tubes

Capacity (ml)	50	80	85	94
Ø x L (mm)	29x107	38x106	38x106	38x102
Tubes per adapter / rotor	1 6	1 6	1 6	

Adapter

Hole Ø x L (mm)	30x70	39x68		39x86
Radius	106	103		106
Ref.	AFI-100R50-OAK-	-	-	-

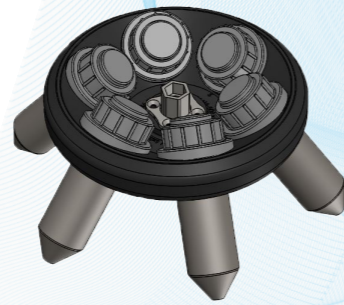
FIXED ANGULAR ROTOR

Accessories selection guide



Angular rotor 6x50ml - 40°

Model	V	R
Max Capacity	6 x 50ml	
Angle	40°	
RPM Max	5 600	5 600
ACR Max	4 383	4 383



Accessories

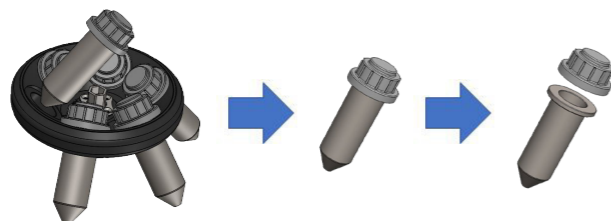


Ref.	AFI-FAN6-50
------	-------------

Tubes	1,1-1,4	1,5-2	1,5-2	1,3	1,6-5	2,6-4	2,7-3	5-7	4,9	4,5-5	10
Capacity (ml)	1,1-1,4	1,5-2	1,5-2	1,3	1,6-5	2,6-4	2,7-3	5-7	4,9	4,5-5	10
∅ x L (mm)	8x82	11x38	12,5x40	10x45	13x75	13x81 91	11x82	13x100	13x106	11x108	21x90
Tubes per adapter / rotor	3 18	3 18	3 18	3 18	1 6		3 18	1 6	1 6	1 6	1 6
Adapter											
Hole ∅ x L (mm)	9x50	11,25x40	13x30	11x40	13,5x58	12,5x55	13,5x78	13,5x78	12,5x80	22x80	
Radius	125	106 120	97 111	96 108	94 105	110	105 116	118	118	118	118
Ref.	AFI-50R1-2	AFI-50R2-2	AFI-50R2CRYO-2	AFI-50R1.3ST-2	AFI-50R5-2	AFI-50R5ST-2	AFI-50R7-2	AFI-50R7-2	AFI-50R6ST-2	AFI-50R10C-2	

Tubes	4-8,5	7-10	10	15	30	30	30	50	50
Capacity (ml)	4-8,5	7-10	10	15	30	30	30	50	50
∅ x L (mm)	15x91 108	16x100	16x85	17x120	25x110	25x110	25x95	29x115	29x107
Tubes per adapter / rotor	1 6		1 6	1 6	1 6	1 6	1 6	1 6	1 6
Adapter									
Hole ∅ x L (mm)	17x78	17x70	18x80	26x60	26x60	26,5x70	30x70	30x70	30x70
Radius	125	118	108	120	122	118	121	125	#REF!
Ref.	AFI-50R10-2	AFI-50R10-OAK-	AFI-50R15C-2	AFI-50R30S-2	AFI-50R30C-2	AFI-50R30-OAK-	-	AFI-50R50-OAK-	

Ideal for your sensitive samples.
Sealed and individually removable adapters.
Guaranteed safety throughout your analysis protocol, before, during and after centrifugation



Fixed rotor 6x50ml - 45° - Sealed

Model	V	R
Max Capacity	6x 50ml	
Angle	45	
RPM Max	5 600	5 600
ACR Max	4 242	4 242



Accessories



Ref.	AFI-RAN6-50
------	-------------

Tubes	1,1-1,4	1,5-2	1,5-2	1,3	1,6-5	2,6-4	2,7-3	5-7	4,9	4,5-5	10
Capacity (ml)	1,1-1,4	1,5-2	1,5-2	1,3	1,6-5	2,6-4	2,7-3	5-7	4,9	4,5-5	10
∅ x L (mm)	8x82	11x38	12,5x40	10x45	13x75	13x81 91	11x82	13x100	13x106	11x108	21x90
Tubes per adapter / rotor	3 18	3 18	3 18	3 18	1 6		3 18	1 6	1 6	1 6	1 6
Adapter											
Hole ∅ x L (mm)	9x50	11,25x40	13x30	11x40	13,5x58	12,5x55	13,5x78	13,5x78	12,5x80	22x80	
Radius	121	101 112	85 96	78 89	76 86	100	87 96	112	112	112	112
Ref.	AFI-50R1-2	AFI-50R2-2	AFI-50R2CRYO-2	AFI-50R1.3ST-2	AFI-50R5-2	AFI-50R5ST-2	AFI-50R7-2	AFI-50R7-2	AFI-50R6ST-2	AFI-50R10C-2	

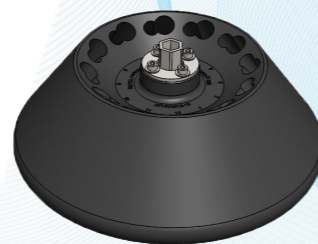
Tubes	4-8,5	7-10	10	15	30	30	30	50	50
Capacity (ml)	4-8,5	7-10	10	15	30	30	30	50	50
∅ x L (mm)	15x91 108	16x100	16x85	17x120	25x110	25x110	25x95	29x115	29x107
Tubes per adapter / rotor	1 6		1 6	1 6	1 6	1 6	1 6	1 6	1 6
Adapter									
Hole ∅ x L (mm)	17x78	17x70	18x80	26x60	26x60	26,5x70	30x70	30x70	30x70
Radius	121	112	98	107	115	107	113	121	113
Ref.	AFI-50R10-2	AFI-50R10-OAK-2	AFI-50R15C-2	AFI-50R30S-2	AFI-50R30C-2	AFI-50R30-OAK-	-	AFI-50R50-OAK-	

FIXED ANGULAR ROTOR

Accessories selection guide

Angular rotor 12 tubes

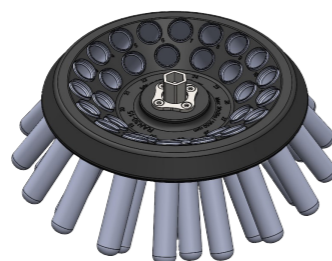
Model	V	R
Max Capacity	12 x 15ml	
Angle	37°	
RPM Max	6 700	6 700
ACR Max	6 324	6 324



Tubes							
Capacity (ml)	-	5	1,6-5	5-7	10	14	15
∅ x L (mm)	-	12x75	13x75	13x100	16x100	17x100	17x120
Tubes per adapter / rotor	-	1 30	1 12	1 12	1 12	1 12	1 12
Accessories							
Hole ∅ x L (mm)	18x98	13,5x78	13,5x78	13,5x78	17x78	18x98	18x98
Radius	103 126	96 115	89	114	103	103	109
Ref.	AFI-RAN12-15	AFI-15R5G-12		AFI-15R6-12	AFI-15R10-12	AFI-15R10-12	AFI-15R15C-12

Angular rotor 30x15ml - 37°

Model	R
Max Capacity	30x 15mL
Angle	37°
RPM Max	4 500
ACR Max	3 328

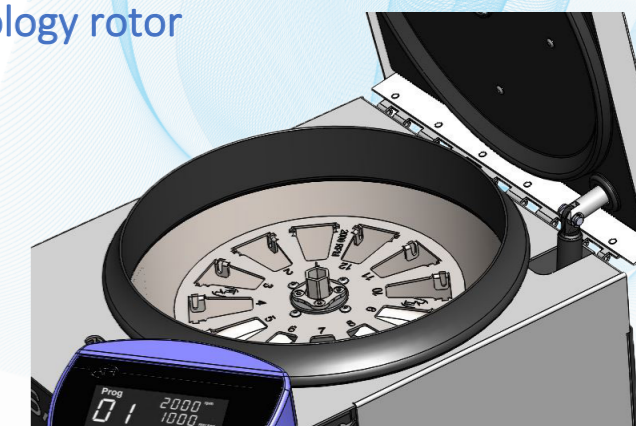


Tubes							
Capacity (ml)	-	5	1,6-5	5-7	10	14	15
∅ x L (mm)	-	12x75	13x75	13x100	16x100	17x100	17x120
Tubes per adapter / rotor	-	1 30	1 30	1 30	1 30	1 30	1 30
Accessories							
Hole ∅ x L (mm)	18x98	13 x 60	13 x 58	13x 78	17x78	17x78	18x98
Radius	122 141	96 115	96 115	108 127	110 129	110 129	118 136
Ref.	AFI-RAN30-15	AFI-15R5G	AFI-15R5	AFI-15R6	AFI-15R10	AFI-15R10	AFI-15R15C



AFI-CYTOLOGY PACK : ISA Ventilated + Cytology rotor

Model	V
Max Capacity	12 Funnels
Angle	90°
RPM Max	2 000
ACR Max	438



Accessories



Ref.	AFI-RCYTO-N150
------	----------------

EZ CYTOFUNNEL PACKS

	DOUBLE	DOUBLE	SINGLE	SINGLE	SINGLE
Capacity (mL)	0,5	0,5	0,5	0,5	0,5
Surface (mm ²)	28	28	28	28	28
∅ (mm)	6	6	6	6	6
Description					
Radius	98				
Set of	200	40	200	40	40
Ref.	AFI-EZ-DFWC-200	AFI-EZ-DFWC-40	AFI-EZ-SFWC-200	AFI-EZ-SFWC-40	AFI-EZ-SFBC-40

INDIVIDUAL SOLUTIONS

	CLIP	CLIP
Description		
Set of	6	50
Ref.	AFI-CLIP-M	AFI-CLIP-P



DOUBLE	DOUBLE	SINGLE	SINGLE	SINGLE
0,5	0,5	0,5	0,5	0,4
28	28	28	28	28
6	6	6	6	6
Description				
Set of	500	25	500	50
Ref.	AFI-DFW-500	AFI-DFW-25	AFI-SFW-500	AFI-SFW50

Spécifications - Specifications						
Modèle - Model	Ventilé - Ventilated		Réfrigéré - Refrigerating		Chauffante/ Heated	
Centrifugeuse de paillasse Benchtop centrifuge						
Référence - Reference	AFI-CI060V-E	AFI-CI060V	AFI-CI060R-E	AFI-CI060R	AFI-CI060RH-E	AFI-CI060RH
Reference IVD/ IVD References*	AFI-CI060V-E/IVD	AFI-CI060V/IVD	AFI-CI060R-E/IVD	AFI-CI060R/IVD	AFI-CI060RH-E/IVD	AFI-CI060RH/IVD
Caractéristiques électriques - Electrical specifications						
Tension nominale - Nominal voltage (+/- 10%)	230 V	120 V	230 V	120 V	230V	120V
Fréquence - Frequency	50 / 60 Hz	60 Hz	50 Hz	60 Hz	50 Hz	60 Hz
Puissance alimentation max. - Power max.	400 W		800 W (460W compressor)		800 W (460W compressor)	
Conformité aux directives Européennes - Compliance with European directives						
(UE)2017/746 : Dispositifs médicaux de diagnostic in vitro - In vitro diagnostic medical devices *Only for IVD references	✓		✓		✓	
2014/35/UE : Directive Basse Tension – Low Voltage Directive	✓		✓		✓	
2014/30/UE : Directive CEM - EMC directive	✓		✓		✓	
2012/19/CE : Directive DEEE - WEEE directive	✓		✓		✓	
2011/65/CE : Directive ROHS - ROHS Directive	✓		✓		✓	
IEC / EN61010-1 (2010) : Sécurité - Safety	✓		✓		✓	
IEC / EN61010-2-020 (2006) : Sécurité - Safety	✓		✓		✓	
IEC / EN61010-2-101 (2015) : Sécurité - Safety	✓		✓		✓	
EN61326-1(2013) : Compatib. électromagn. - EMC compatibility	✓		✓		✓	
EN55011 2009/A1 (2010) Classe A : Perturbations / Emissions	✓		✓		✓	
EN ISO 14971 (2012) : Gestion des risques - Risk management	✓		✓		✓	
ISO 9001 (2015) : Gestion des risques - Risk management	✓		✓		✓	
ISO 13485 (2016) : Gestion des risques - Risk management	✓		✓		✓	
Caractéristiques principales (voir brochure) - Main specifications (see brochure for full specification)						
 Rotors Swing-out Swing-out rotors	Capacité max. Max. capacity	4 x 150 ml				
	RPM max.	Rotor AFI-RXN-150 Bucket AFI-BX150		4500 rpm		
	ACR max Max. RCF			3396 g		
 Rotors Microplaques Microplate rotors	Capacité max. Max. capacity	2x3 microplaques 2x3 microplates				
	RPM max.	Rotor AFI-RHDWN-150 Bucket AFI-BXDW		4500 rpm		
	ACR max Max. RCF			2400 g		
 Rotors Angulaires Fixed angle rotors	Capacité max. Max. capacity	Rotor AFI-RAN6-85		6 x 85 ml		
	RPM max.	Rotor AFI-RAN12-15		6700 rpm		
	ACR max Max. RCF			6324 g		
Couvercle - Lid			✓			
Dimensions & poids - Dimensions & Weight						
Dimensions (HxLxL) - Foot print Dimensions (HxWxD)	34 x 39 x 51 cm		34 x 46 x 72 cm		34 x 46 x 72 cm	
Profondeur table - Table deep	47 cm		65 cm		65 cm	
Dimensions emballage (HxLxL) - Package dimension	47 x 47 x 70 cm		47 x 52 x 81 cm		47 x 52 x 81 cm	
Hauteur couvercle ouvert - Opened lid height	74 cm		79 cm		79 cm	
Poids net - Weight unpacked	40 Kg		70 Kg		70 Kg	
Poids emballé - Weight packed	50 kg		80 kg		80 kg	

Description de la centrifugeuse / Centrifuge description						
Référence - Reference	AFI-CI060V-E	AFI-CI060V	AFI-CI060R-E	AFI-CI060R	AFI-CI060RH-E	AFI-CI060RH
Ecran LCD 4.7" 4.7" LCD screen				✓		
Commandes Commands	Molette + Touches tactiles Knob + Tactiles Buttons					
Contrôle par microprocesseur Microprocessor control	✓					
Reconnaissance automatique du rotor Automatic rotor recognition	✓					
Détection de balourd Imbalance detection	Calibration ajustable (15g swing out et 3g rotors angulaires). Neutralisation automatique des vibrations liées à l'environnement. Tunable calibration (15g for swing out & 3g for angular rotors). Automatic neutralization of vibrations due to environment					
Mode économie d'énergie Energy saving mode	Mode "Postcool" désactivable Desactivable "Postcool" mode					
Fermeture du couvercle Lid closing	Fermeture manuelle & ouverture motorisée Manual closing & motorized opening					
Durées de cycle Cycle duration	10 s à 99h:59min:59s & Impulsion 10 s to 99h:59min:59 s & Pulse					
Unités de température Temperature units	°C / °F					
Chambre de centrifugation Centrifugation chamber	Inox					
Densité max. Max. density	1.2 g / cm ³					
Moteur à induction sans charbon Brushless induction motor	✓					
Vitesse mini / Maxi Mini / Max Speed	300 / 6700 rpm					
Pas de réglage de la vitesse Speed setting step	50 ou 100 rpm suivant réglage utilisateur 50 or 100 according to user setting					
Précision de vitesse Speed accuracy	± 0.5%					
Nombre de programmes Programs number	99		99+1		99+2	
Temps de montée de T° ambiante à 37°C Time to increase from ambient temp to 37°C	N/A		N/A		Ultra rapide < 9 min	
Temps de descente de T° ambiante à 4°C Time to decrease from ambient temp to 4°C	N/A		Ultra rapide < 6 min		Ultra rapide < 6 min	
Fonction Pulse Pulse (short run)	✓					
Pentes d'accélération & de freinage Acceleration & Braking slopes	10 & 10					
Décélération libre Brakeless mode	✓					
Système de réfrigération Cooling system	Ventilation Ventilation device		Sans CFC CFC free			
Plage de réglage en température Range of setting temperature	N/A		-10°C → +40°C * * Pour les T° < à 4° et > à l'ambiante, des tests sont nécessaires selon les rotors utilisés et la vitesse. For T° < 4° and > ambient, tests are necessary depending on the rotors used and the speed.		-10°C → +40°C * Pour les T° < à 4° des tests sont nécessaires selon les rotors utilisés et la vitesse. For T° < 4° tests are necessary depending on the rotors used and the speed.	
Echauffement (en C°) de l'échantillon à vitesse max pour T° ambiante 23°, Durée de fonctionnement en continu 45 mn. *performance optimale atteinte avec couvercle de nacelle Sample heating (C°) at max speed, 23° ambient temperature, Continuous operating time 45mn *optimum performance achieved with bucket lid	15		N/A			
Fonction de pré-refroidissement et préchauffage Precool function	N/A		4° C pré enregistré/registered		4° & 37°C pré enregistré/registered Pre cool function adjustable from 20°C to -10°C Pre-heating function adjustable from 20°C to 40°C	
Précision en température Temperature accuracy	N/A		+/- 2°C			
Dissipation de chaleur maximale Heat dissipation	1364 BTU/h		2729 BTU/h			
Niveau sonore max. Max. noise	≤ 56 dB(A)		≤ 54 dB(A)			



M A D E I N F R A N C E

AFI Groups

3 Rue Nicolas Copernic - 53200 Château Gontier - France

Tel. +33 2 43 06 15 19

<http://www.afigroups.com>

e-mail: contact@afigroups.com

*Scan me to discover
AFI catalogs*



* If necessary or useful without affecting the essential characteristics of a model, the technical and stylistic characteristics may be modified without prior notice from the manufacturer.