

AFI presents
THE GENERATION

LINA

CENTRIFUGES FOR RESEARCH AND VETERINARY

From Experience comes Excellence



2026



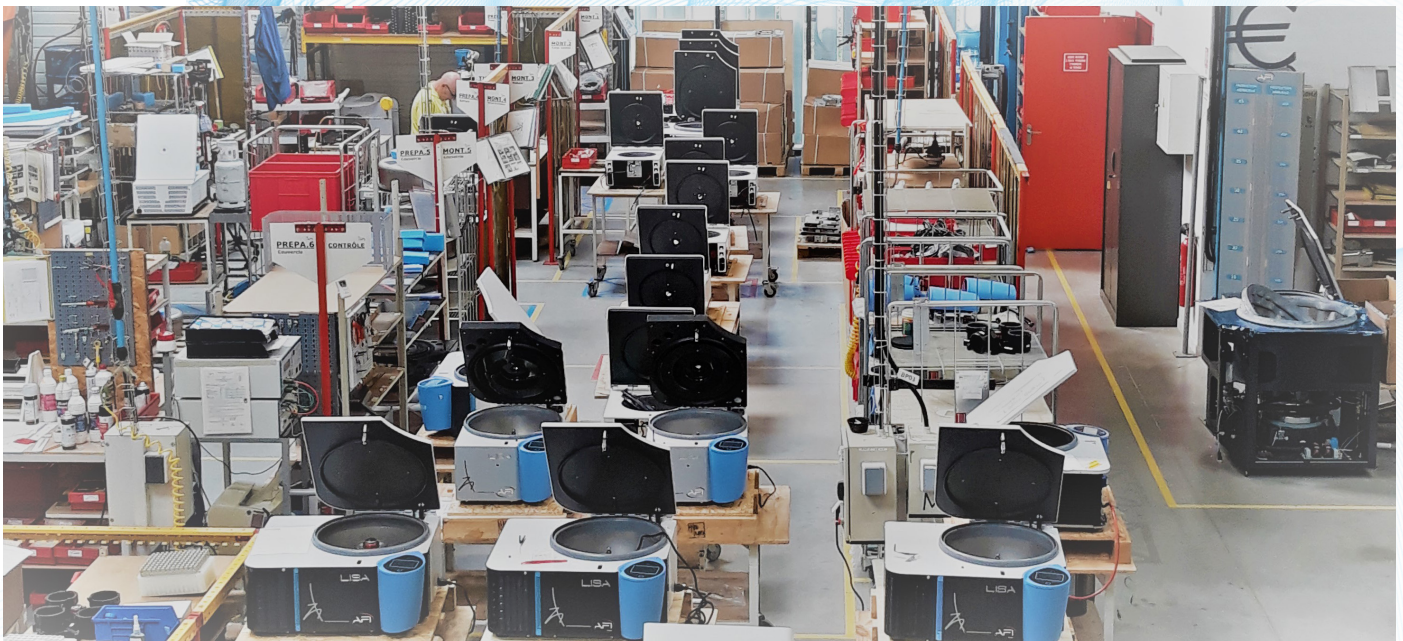
AFI CENTRIFUGE

UNIQUE FRENCH MANUFACTURER

AFI Centrifuge, the only French manufacturer based in Château-Gontier in FRANCE, has been designing and manufacturing innovative centrifuges since 2009. AFI centrifuges have been designed to meet the needs and requirements of medical analysis laboratories, research laboratories, veterinary laboratories, hospitals, etc.

Offering a wide variety of rotors and accessories, the user will have at his disposal all the solutions to meet the required protocols. Available in both ventilated and refrigerated versions, AFI centrifuges are designed to be used with all types of tubes, vials and bottles available on the market.

With more than 20 years of experience in the field of biomedical engineering, electronics and electromechanics, AFI presents today a wide range of versatile and innovative centrifuges



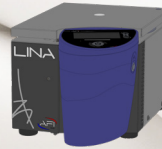
Philippe LE GUYADER

A stylized signature of Philippe Le Guyader in blue ink.

RANGE



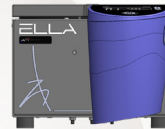
LIA
Micro Centrifuges*
Mini, Micro & Labo



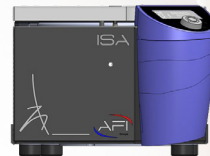
LINA
Research Centrifuge
Micro & multifonction



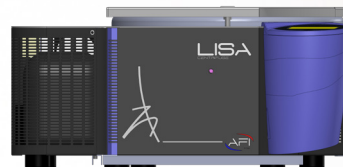
SIRENA
Centrifuge **MultiLab**
0.6 L



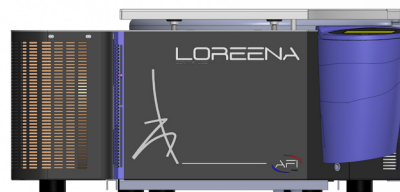
ELLA
Clinical Centrifuge
0,4 L



ISA
Clinical centrifuge
0.6 L



LISA
Centrifuge **MultiLab**
1.0 L à 2.5 L



LOREENA
Centrifuge **MultiLab**
1.6 L à 4 L



KATRINA
High Capacity Centrifuge
12 L

REGINA
High Capacity Centrifuge
16 L



LINA

Rotor 48 micro tubes
Rotor 6x 50mL
Rotor 6 Micro plates
21 500 Rpm/ 34 626x g
Ventilated & Refrigerated
11 rotors

LIA

Rotor 24 micro tubes
15 000 Rpm/ 21 380 x g
Ventilated & Refrigerated
8 rotors

SIRENA

24-36 tubes 5/7 mL
6x 100mL
18 000 Rpm/ 31514 x g
Refrigerated
Interactive communication
Touch screen, 99 programs,
17 rotors

ELLA

40 tubes 5/7mL
6000 Rpm/ 4709 x g
Ventilated
Touch screen, 99 programs.

ISA

40 tubes 5/7 mL
6700 Rpm/ 6324 xg
Ventilated, Refrigerated, **Reversible**
Touch screen, 99 programs.
11 rotors



REGINA

16 Liters
3800 Rpm/ 4940 x g
Floor Refrigerated
Interactive communication, Touch screen,
Integral

KATRINA

12 Liters
4900 Rpm/ 7301 x g
Floor refrigerated
Interactive communication, Touch screen,
Integral, 6 Rotors

LOREENA

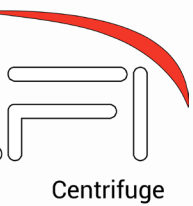
108- 200 tubes 5/7 mL / 12x 50 mL
16000 Rpm/ 28 335x g
Ventilated, Refrigerated & Floor
Reversible
Interactive communication,
Click Spin, Touch screen,
15 Rotors

LISA

60-92 tubes 5-7 mL/ 8x100mL
18 000 Rpm/ 31514 x g
Ventilated, Refrigerated et **Reversible**
Interactive communication
Click Spin, Touch screen,
18 Rotors

High Capacity
Blood bank center / Industry

Routine
Hospitals/ Medical analysis laboratories



LINA

Micro multifonction

COMPACTE ET MULTIFONCTION

With its small size and wide range of rotors LINA will be your ally for many applications. You can centrifuge up to 48 micro tubes, 6 tubes 50 mL and 6 micro plates

MOTION CONTROL

No need to touch the centrifuge to start your cycle. A simple gesture and you can start, stop and open your lid. After 2 years of training, LINA is now bilingual in sign language and will understand you perfectly.



| Centrifuge Description | |
|------------------------|------------------------------|
| AFI-CI030V-E | LINA Centrifuge Ventilated |
| AFI-CI030R-E | LINA Centrifuge Refrigerated |
| Specifications | |
| | Angular Rotor |
| Max Speed | 23 000 rpm |
| Max RCF | 37 260 g |
| Max Loading | 6x 50 ml |
| Dim. (HxWxD) | 28x31x40 cm/ 28x35x64 cm |
| Pack dim. | TBC |
| Weight | 21/40kg |



Our new micro & multifunction research centrifuge



MOTION CONTROL

No need to touch the centrifuge to start your cycle. A simple gesture and you can start, stop and open your lid.

USB CONNECTION

Updating centrifuges by a simple USB connection on the front panel.

Its major assets

6 reasons

to choose it

Centrifuge's electronic functions integrated into a front central unit. Plug & play system guaranteeing a fast and efficient intervention

UNIQUE ELECTRONIC FUNCTIONS



COMPACT & PERFORMANCE

With its small size and wide range of rotors LINA will be your ally for many applications. You can centrifuge up to 48 micro tubes, 6 tubes 50 mL and 6 micro plates



With its unique illuminated displays, visible at 7 meters, LINA will monitor your samples.

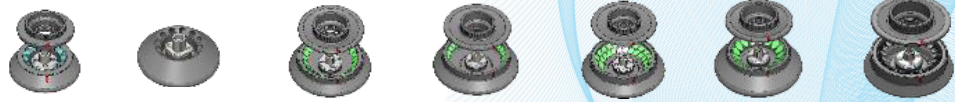
Its blue circle and OK, its green circle or blinkind red circle confirm whether or not the cycle is running smoothly. Launch your protocols with peace of mind.

INTERACTIVE ILLUMINATED DISPLAY



Angular Rotors rotors

Accessories selection guide



| LINA ACCESSORIES | AFI-LINA12-2 | AFI-LINA12-ZWL | AFI-LINA24-2 | AFI-LINA30-2 | AFI-LINA48-2 | AFI-LINA16-5 | AFI-LINA20-2CRYO |
|-------------------|--------------|----------------|--------------|--------------|--------------|--------------|------------------|
| Max Capacity (ml) | 12x2 | 12x2 | 24x2 | 30x2 | 48x2 | 16x5 | 20x2 |
| Max Speed (rpm) | 21 500 | 23 000 | 18 000 | 14 000 | 14 000 | 14 200 | |
| Max RCF (g) | 34 626 | 37 260 | 31 514 | 21 255 | 21 255 | 21 642 | |
| Lid | ✓ | | ✓ | ✓ | ✓ | ✓ | ✓ |
| Acc/ Dec | | | | | | | |

* Compatible with the maximum speed written above the rotor.

| Tubes | ml | Ø x L | AFI-LINA12-2 | AFI-LINA12-ZWL | AFI-LINA24-2 | AFI-LINA30-2 | AFI-LINA48-2 | AFI-LINA16-5 | AFI-LINA20-2CRYO |
|-------|------------------|-----------|--------------|----------------|--------------|--------------|--------------|--------------|------------------|
| | 0,2-0,25 | 6x18 | 12 | 12 | 24 | 30 | 48 | 16 | - |
| | 0,5 | 8x30 | 12 | 12 | 24 | 30 | 48 | 16 | - |
| | 1,1-1,4 | 8x82 | - | - | - | - | - | - | - |
| | 1,5-2 | 11x38 | 12 | 12 | 24 | 30 | 48 | 16 | - |
| | 2 SPIN COLUMN | 11x38 | 12 | 12 | 24 | 30 | 48 | 16 | - |
| | 5 | 16,5x60 | - | - | - | - | - | 16 | - |
| | 1,5-2 CRYO | 12,5x40 | - | - | - | - | - | - | 20 |
| | 1,3 | 10x45 | - | - | - | - | - | - | - |
| | 1,6-5 | 13x75 | - | - | - | - | - | - | - |
| | 2,6-4 | 13x81-91 | - | - | - | - | - | - | - |
| | 2,7-3 | 11x82 | - | - | - | - | - | - | - |
| | 5-7 | 13x75/100 | - | - | - | - | - | - | - |
| | 2,6-4,9 | 13x106 | - | - | - | - | - | - | - |
| | 1,2-5 | 11x108 | - | - | - | - | - | - | - |
| | 10 | 21x90 | - | - | - | - | - | - | - |
| | 4-5 | 15x91 | - | - | - | - | - | - | - |
| | 7-10 | 16x100 | - | - | - | - | - | - | - |
| | 5-8,5 | 15x108 | - | - | - | - | - | - | - |
| | 10 OAK | 16x85 | - | - | - | - | - | - | - |
| | 14 | 16x100 | - | - | - | - | - | - | - |
| | 15 | 17x120 | - | - | - | - | - | - | - |
| | 30 | 25x110 | - | - | - | - | - | - | - |
| | 30 | 25x110 | - | - | - | - | - | - | - |
| | 30 OAK | 25x95 | - | - | - | - | - | - | - |
| | 50 | 29x115 | - | - | - | - | - | - | - |
| | 50 OAK | 29x107 | - | - | - | - | - | - | - |
| | 80 OAK 85 OAK | 38x106 | - | - | - | - | - | - | - |
| | PCR | 6x22 | - | - | - | - | - | - | - |
| | Micro plates | | - | - | - | - | - | - | - |
| | DeepWell | | - | - | - | - | - | - | - |

Angular rotors

Accessories selection guide



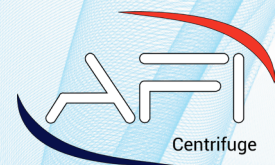
| LINA ACCESSORIES | AFI-LINA12-X | AFI-LINA6-50 | AFI-LINA-PCR8-8 | AFI-LINA-RHDW | AFI-LINARX-5 |
|-------------------|--------------|--------------|-----------------|---------------|--------------|
| Max Capacity (ml) | 12x15 | 6x50 | 8x8 | 6 µplaques | 8x 5mL |
| Max Speed (rpm) | - | - | 11 800 | 4 700 | 10 000 |
| Max RCF (g) | - | - | 13 543 | 2 223 | 12 200 |
| Lid | | | ✓ | | |
| Acc/Dec | | | | | |

* Compatible with the maximum speed written above the rotor.

| Micro Tubes | ml | Ø x L | AFI-LINA12-X | AFI-LINA6-50 | AFI-LINA-PCR8-8 | AFI-LINA-RHDW | AFI-LINARX-5 |
|-------------|------------------|----------|--------------|--------------|-----------------|---------------|--------------|
| | 0,2-0,25 | 6x18 | - | - | - | - | - |
| | 0,5 | 8x30 | - | - | - | - | - |
| | 1,1-1,4 | 8x82 | - | 18 | - | - | - |
| | 1,5-2 | 11x38 | - | 18 | - | - | 8 |
| | 2 SPIN COLUMN | 11x38 | - | - | - | - | - |
| | 5 | 16,5x60 | - | - | - | - | - |
| | 1,5-2 CRYO | 12,5x40 | - | 18 | - | - | - |
| | 1,3 | 10x45 | - | 18 | - | - | - |
| | 1,6-5 | 13x75 | 12 | 6 | - | - | - |
| | 2,6-4 | 13x81-91 | - | - | - | - | - |
| | 2,7-3 | 11x82 | 12 | 18 | - | - | - |
| | 5-7 | 13x75 | 12 | - | - | - | 8 |
| | 2,6-4,9 | 13x106 | - | - | - | - | - |
| | 1,2-5 | 11x108 | - | - | - | - | - |
| | 10 | 21x90 | - | - | - | - | - |
| | 4-5 | 15x91 | - | - | - | - | - |
| | 7-10 | 16x100 | 12 | 6 | - | - | - |
| | 5-8,5 | 15x108 | - | - | - | - | - |
| | 10 OAK | 16x85 | - | - | - | - | - |
| | 14 | 16x100 | - | 6 | - | - | - |
| | 15 | 17x120 | 12 | 6 | - | - | - |
| | 30 | 25x110 | - | 6 | - | - | - |
| | 30 | 25x110 | - | 6 | - | - | - |
| | 30 OAK | 25x95 | - | 6 | - | - | - |
| | 50 | 29x115 | - | 6 | - | - | - |
| | 50 OAK | 29x107 | - | 6 | - | - | - |
| | 80 OAK 85 OAK | 38x106 | - | - | - | - | - |
| | PCR | 6x22 | - | - | 8 | - | - |
| | Micro plates | | - | - | - | 6 | - |
| | Deep Well | | - | - | - | 2 | - |

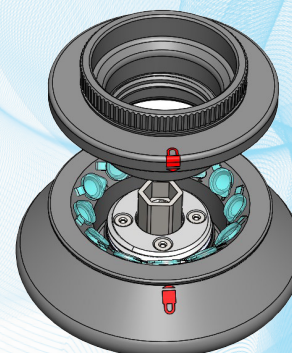
FIXED ANGULAR ROTOR

Accessories selection guide



Angular rotor 12x2mL - 45° - Sealed

| Model | V | R |
|--------------|---------|--------|
| Max Capacity | 12x 2ml | |
| Angle | 45° | |
| RPM Max | 21 500 | 21 500 |
| ACR Max | 34 626 | 34 626 |

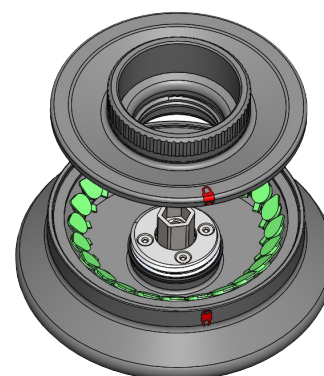


| Tubes | SPIN COLUMN | | | | |
|---------------------------|--------------|---|-----------|------------|-----------|
| | 1,5-2 | 2 | 0,2 | 0,25 | 0,5 |
| Capacity (ml) | 1,5-2 | 2 | 0,2 | 0,25 | 0,5 |
| Ø x L (mm) | 11x38 | | 6x18 | | 8x30 |
| Tubes per adapter / rotor | 12 | | 1 12 | 1 12 | 1 12 |
| Accessories | | | | | |
| Hole Ø X L(mm) | 11,2x41 | | | 7x39 | 8,3x39 |
| Radius | 67 | | 67 | 67 | 67 |
| Ref. | AFI-LINA12-2 | | AFI-2R02* | AFI-2R025* | AFI-2R05* |

* Set of 6

Angular rotor 24x2mL - 45° - Sealed

| Model | V | R |
|--------------|---------|--------|
| Max Capacity | 24x 2ml | |
| Angle | 45° | |
| RPM Max | 17 500 | 18 000 |
| ACR Max | 29 788 | 31 514 |

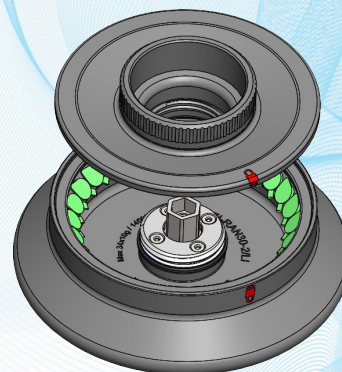


| Tubes | SPIN COLUMN | | | | |
|---------------------------|--------------|---|-----------|------------|-----------|
| | 1,5-2 | 2 | 0,5 | 0,25 | 0,2 |
| Capacity (ml) | 1,5-2 | 2 | 0,5 | 0,25 | 0,2 |
| Ø x L (mm) | 11x38 | | 8x30 | | 6x18 |
| Tubes per adapter / rotor | 24 | | 1 12 | 1 12 | 1 12 |
| Accessories | | | | | |
| Hole Ø X L(mm) | 11,2x41 | | 8,3x39 | 7x39 | |
| Radius | 87 | | 87 | 87 | 87 |
| Ref. | AFI-LINA24-2 | | AFI-2R05* | AFI-2R025* | AFI-2R02* |

* Set of 6

Angular rotor 30x2mL - 45° - Sealed

| Model | V | R |
|--------------|---------|--------|
| Max Capacity | 30x 2ml | |
| Angle | 45° | |
| RPM Max | 14 000 | 14 000 |
| ACR Max | 21 255 | 21 255 |

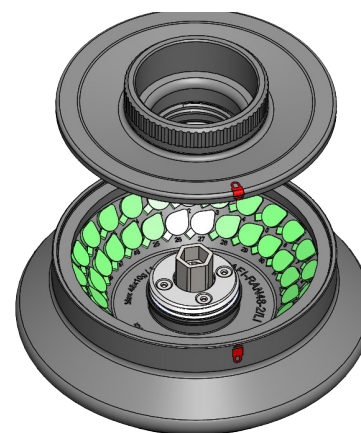


| Tubes | SPIN COLUMN | | | | |
|---------------------------|--------------|---|-----------|------------|-----------|
| | 1,5-2 | 2 | 0,5 | 0,25 | 0,2 |
| Capacity (ml) | 11x38 | | 8x30 | 0,25 | 0,2 |
| ∅ x L (mm) | 11x38 | | 8x30 | 0,25 | 0,2 |
| Tubes per adapter / rotor | 30 | | 1 12 | 1 12 | 1 12 |
| Accessories | | | | | |
| Hole ∅ X L(mm) | 11,2x41 | | 8,3x39 | 7x39 | 7x39 |
| Radius | 97 | | 97 | 97 | 97 |
| Ref. | AFI-LINA30-2 | | AFI-2R05* | AFI-2R025* | AFI-2R02* |

* Set of 6

Angular rotor 48x2mL - 45° - Sealed

| Model | V | R |
|--------------|---------|--------|
| Max Capacity | 48x 2ml | |
| Angle | 45° | |
| RPM Max | 14 000 | 14 000 |
| ACR Max | 21 255 | 21 255 |



| Tubes | SPIN COLUMN | | | | |
|---------------------------|--------------|---|-----------|------------|-----------|
| | 1,5-2 | 2 | 0,5 | 0,25 | 0,2 |
| Capacity (ml) | 11x38 | | 8x30 | 0,25 | 0,2 |
| ∅ x L (mm) | 11x38 | | 8x30 | 0,25 | 0,2 |
| Tubes per adapter / rotor | 30 | | 1 12 | 1 12 | 1 12 |
| Accessories | | | | | |
| Hole ∅ X L(mm) | 11,2x41 | | 8,3x39 | 7x39 | 7x39 |
| Radius | 86 97 | | 86 97 | 86 97 | 86 97 |
| Ref. | AFI-LINA48-2 | | AFI-2R05* | AFI-2R025* | AFI-2R02* |

* Set of 6

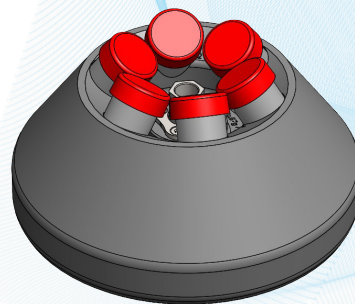
FIXED ANGULAR ROTOR

Accessories selection guide



Angular rotor 6x50mL - 35°

| Model | V | R |
|--------------|---------|-------|
| Max Capacity | 6x 50ml | |
| Angle | 35° | |
| RPM Max | 8 330 | 8 330 |
| ACR Max | 7 990 | 7 990 |



Accessories

| Ref. | AFI-LINA6-50 |
|------|--------------|
|------|--------------|

Tubes

| | | | | | | | | | |
|---------------------------|---------|-------|---------|-------|-------|----------|-------|--------|--------|
| Capacity (ml) | 1,1-1,4 | 1,5-2 | 1,5-2 | 1,3 | 1,6-5 | 2,6-4 | 2,7-3 | 5-7 | 4,9 |
| Ø x L (mm) | 8x82 | 11x38 | 12,5x40 | 10x45 | 13x75 | 13x81 91 | 11x82 | 13x100 | 13x106 |
| Tubes per adapter / rotor | 3 18 | 3 18 | 3 18 | 3 18 | 1 6 | | 3 18 | 1 6 | 1 6 |

Adapter

| | | | | | | | | | |
|----------------|------------|------------|----------------|----------------|------------|--------------|------------|------------|------------|
| Hole Ø x L(mm) | 9x50 | 11,25x40 | 13x30 | 11x40 | 13,5x58 | 12,5x55 | 13,5x78 | 13,5x78 | 13,5x78 |
| Radius | 86 100 | 77 91 | 73 88 | 71 85 | 90 | 82 96 | 98 | 98 | 98 |
| Ref. | AFI-50R1-2 | AFI-50R2-2 | AFI-50R2CRYO-2 | AFI-50R1.3ST-2 | AFI-50R5-2 | AFI-50R5ST-2 | AFI-50R7-2 | AFI-50R7-2 | AFI-50R7-2 |

* Set of 8

Tubes

| | | | | | | | | | |
|---------------------------|--------|-------|-----------|--------|-------|--------|--------|--------|--------|
| Capacity (ml) | 4,5-5 | 10 | 4-8,5 | 7-10 | 10 | 14 | 15 | 30 | 30 |
| Ø x L (mm) | 11x108 | 21x90 | 15x91 108 | 16x100 | 16x85 | 16x100 | 17x120 | 25x110 | 25x110 |
| Tubes per adapter / rotor | 1 6 | 1 6 | 1 6 | | 1 6 | 1 6 | 1 6 | 1 6 | 1 6 |

Adapter

| | | | | | | | | | |
|----------------|--------------|--------------|-------------|----------------|--------------|--------------|--------------|--------------|--------------|
| Hole Ø x L(mm) | 12,5x80 | 22x80 | 17x78 | 17x70 | 17x78 | 18x80 | 26x60 | 26x60 | 26x60 |
| Radius | 98 | 98 | 98 | 98 | 98 | 100 | 100 | 98 | 98 |
| Ref. | AFI-50R6ST-2 | AFI-50R10C-2 | AFI-50R10-2 | AFI-50R10-OAK- | AFI-50R14C-2 | AFI-50R15C-2 | AFI-50R30S-2 | AFI-50R30C-2 | AFI-50R30C-2 |

* Set of 8

Tubes

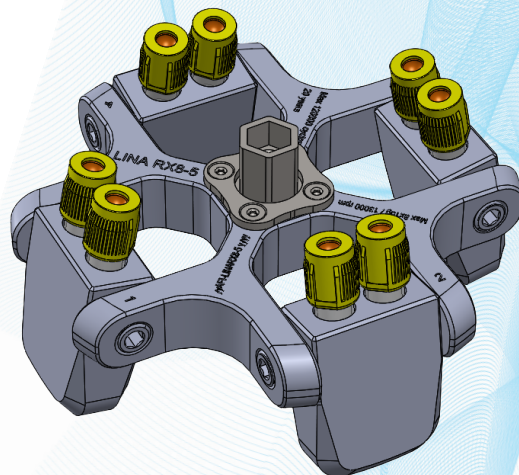
| | | | |
|---------------------------|-------|--------|--------|
| Capacity (ml) | 30 | 50 | 50 |
| Ø x L (mm) | 25x95 | 29x115 | 29x107 |
| Tubes per adapter / rotor | 1 6 | 1 6 | 1 6 |

Adapter

| | | | |
|----------------|-----------------|-------|-----------------|
| Hole Ø x L(mm) | 26,5x70 | 30x70 | 30x70 |
| Radius | 103 | 111 | 113 |
| Ref. | AFI-50R30-OAK-2 | - | AFI-50R50-OAK-2 |

Swing out rotor 8x 5 mL (Ø 13x 75 m)

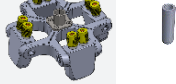
| Model | V | R |
|--------------|--------|---|
| Max Capacity | 8x 5mL | |
| Angle | 90° | |
| RPM Max | 10 000 | |
| ACR Max | 12 299 | |



Tubes

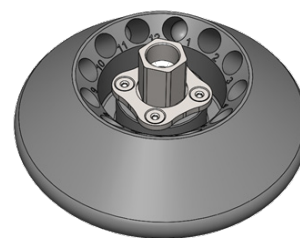
| | | |
|---------------------------|-------|----------|
| Capacity (ml) | 5 | 1,5/2 mL |
| Ø x L (mm) | 13x75 | 11 x 38 |
| Tubes per adapter / rotor | 2 8 | 2 8 |

Accessories

| | | |
|-----------------|---|----------------|
| |  | |
| Hole Ø X L (mm) | 13,5x58 | |
| Radius | 110 | |
| Ref. | AFI-RX8-5 | AFI-5R2 |

Angular rotor 12x2mL - 45° - Ouvert





| Model | V | R |
|--------------|---------|--------|
| Max Capacity | 12x 2ml | |
| Angle | 45° | |
| RPM Max | 23 000 | 23 000 |
| ACR Max | 37 260 | 37 260 |



Tubes

| | | | | | |
|---------------------------|-------|---|------|------|------|
| Capacity (ml) | 1,5-2 | 2 | 0,2 | 0,25 | 0,5 |
| Ø x L (mm) | 11x38 | | 6x18 | | 8x30 |
| Tubes per adapter / rotor | 12 | | 1 12 | 1 12 | 1 12 |

Accessories

| | | | | |
|-----------------|---|---|---|---|
| |  |  |  |  |
| Hole Ø X L (mm) | 11,2x41 | 63 | 7x39 | 8,3x39 |
| Radius | 63 | 63 | 63 | 63 |
| Ref. | AFI-LINA12-2 WL | AFI-2R02* | AFI-2R025* | AFI-2R05* |

* Set of 6

FIXED ANGULAR ROTOR

Accessories selection guide




Angular rotor 20x2ml - 45° - Sealed

| Model | V | R |
|--------------|----------|--------|
| Max Capacity | 20 x 2ml | |
| Angle | 40° | |
| RPM Max | 14 000 | 14 000 |
| ACR Max | 18 407 | 18 407 |

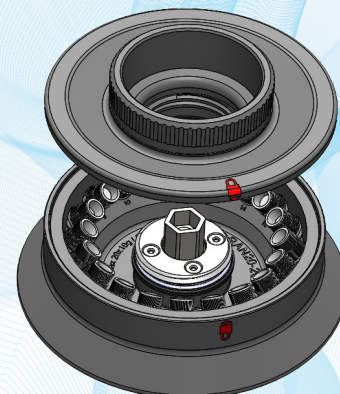


CRYO

| Tubes | |
|---------------------------|-------|
| Capacity (ml) | 1,5-2 |
| ∅ x L (mm) | 13x |
| Tubes per adapter / rotor | 20 |

| Accessories | |
|----------------|---|
| |  |
| Hole ∅ X L(mm) | 13x30 |
| Radius | 84 |
| Ref. | AFI-LINA20-2CRYO |

* Set of 6




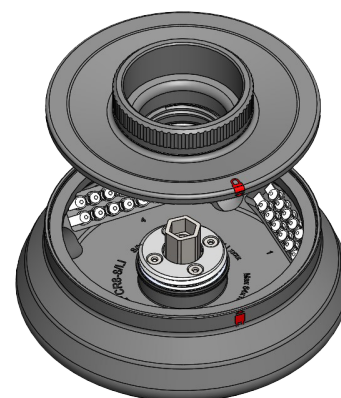
Angular rotor PCR8x8ml - 45° - Sealed

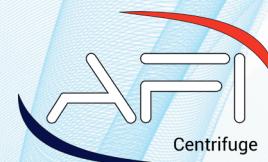
| Model | V | R |
|--------------|--------|--------|
| Max Capacity | 8x PCR | |
| Angle | 45° | |
| RPM Max | 11 800 | 11 800 |
| ACR Max | 13 543 | 13 543 |



| Tubes | |
|---------------------------|-------|
| Capacity (ml) | 8x0,2 |
| ∅ x L (mm) | 6x22 |
| Tubes per adapter / rotor | 8 |

| Accessories | |
|----------------|---|
| |  |
| Hole ∅ X L(mm) | 6,2x16,5 |
| Radius | 87 |
| Ref. | AFI-LINAPCR8-8 |





Angular rotor 12 tubes - 35°

| Model | V | R |
|--------------|----------|-------|
| Max Capacity | 12 tubes | |
| Angle | 35° | |
| RPM Max | 6 000 | 6 000 |
| ACR Max | 4 629 | 4 629 |

Tubes

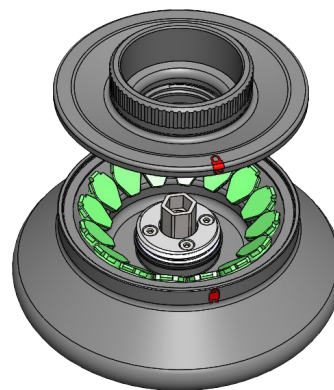
| | | | | | | |
|---------------------------|---|-------|-------|--------|--------|--------|
| Capacity (ml) | - | 5 | 1,6-5 | 5-7 | 10 | 15 |
| ∅ x L (mm) | - | 12x75 | 13x75 | 13x100 | 16x100 | 17x120 |
| Tubes per adapter / rotor | - | 1 12 | 1 12 | 1 12 | 1 12 | 1 12 |

Accessories

| | | | | | | |
|-----------------|--------------|--------------|---------|-------|-------|---------------|
| Hole ∅ x L (mm) | 18x98 | 13,5x78 | 13,5x78 | 17x78 | 17x78 | 18x98 |
| Radius | 117 | 96 115 | 89 | 115 | 103 | 109 |
| Ref. | AFI-LINA12-X | AFI-15R5G-12 | | | | AFI-15R15C-12 |

Angular rotor 16x5mL - 45° - Sealed

| Model | V | R |
|--------------|---------|--------|
| Max Capacity | 16x 5ml | |
| Angle | 45° | |
| RPM Max | 14 200 | 14 200 |
| ACR Max | 21 642 | 21 642 |



Tubes

| | | | | | | | |
|---------------------------|---------|-------|--------------|------|------|------|------|
| Capacity (ml) | 5 | 2 | SPIN-COLUMNS | | 0,5 | 0,25 | 0,2 |
| ∅ x L (mm) | 16,5x60 | 11x38 | 11x38 | 8x30 | 8x30 | 7x39 | 6x18 |
| Tubes per adapter / rotor | 16 | 1 16 | 1 16 | 1 12 | 1 12 | 1 12 | 1 12 |

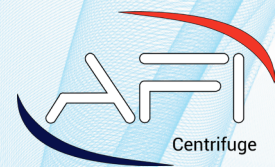
Accessories

| | | | | | | |
|-----------------|--------------|---------|-----------|-----------|------------|-----------|
| Hole ∅ x L (mm) | 17x57 | 11,2x41 | 11,2x39 | 8,3x39 | 7x39 | |
| Radius | 96 | 83 | 83 | | | |
| Ref. | AFI-LINA16-5 | AFI-5R2 | AFI-5R2SC | AFI-2R05* | AFI-2R025* | AFI-2R02* |

* Set of 16

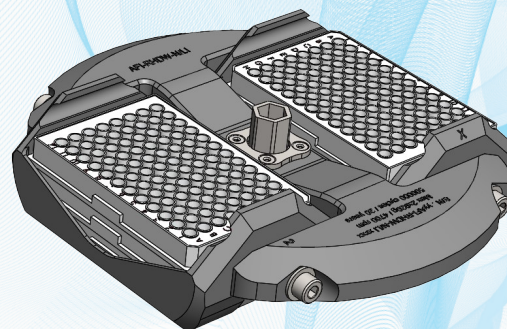
SWING OUT ROTOR

Accessories selection guide



Swing Out Rotor 2x3 Microplates

| Model | V | R |
|--------------|---------------|-------|
| Max Capacity | 6 Microplates | |
| Angle | 90° | |
| RPM Max | 4 700 | 4 700 |
| ACR Max | 2 223 | 2 223 |



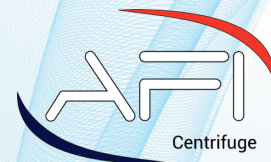
Tubes

| | V | R |
|---------------------------|---|-------|
| Capacity | - | 3 1 |
| Max Height (mm) | - | 40 |
| Tubes per adapter / rotor | - | 3 6 |

Accessories



| | | |
|-----------------|----------------------|----------------------|
| Hole Ø X L(mm) | - | - |
| Radius | - | 90 |
| Max charge (gr) | 2x920 | 450 |
| Ref. | AFI-LINA-RHDW | AFI-LINA-BHDW |



| | SMALL | MEDIUM | LARGE |
|-----------------------|--|------------------|------------------|
| Ref. | AFI-MT550 | AFI-MT750 | AFI-MT850 |
| Dimensions wxhxd (mm) | 550x560x700 | 750x560x700 | 850x560x700 |
| | 2 tiroirs, 4 roulettes avec frein / 2 drawers, 4 wheels with brake | | |
| LINA V | ✓ | | |
| LINA R | ✓ | | |
| ISA V | ✓ | | |
| ISA R | ✓ | | |
| SIRENA | ✓ | | |
| LISA V | ✓ | | |
| LISA R | | ✓ | |
| LOREENA V | | ✓ | |
| LOREENA R | | | ✓ |

We offer you a range of AFI furniture dedicated to your centrifuges.

These furniture have been designed to last.
They are reinforced with a metal frame to ensure robustness.

They are equipped with 4 castors with brakes for more mobility and flexibility in your laboratory.

The large drawers allow you to place all your accessories.

These furniture are for you !



Spécifications - Specifications

| Modèle - Model | Ventilé - Ventilated | | Réfrigéré - Refrigerating | |
|--|--|---------------------|---|----------------|
| Centrifugeuse de paillasse Benchtop centrifuge |  | |  | |
| Référence - Reference | AFI-CI030 V-E | AFI-CI030 V | AFI-CI030 R-E | AFI-CI030 R |
| References IVD / IVD References | AFI-CI030V-E/ IVD | AFI-CI030V/IVD | AFI-CI030R-E/IVD | AFI-CI030R/IVD |
| Caractéristiques électriques - Electrical specifications | | | | |
| Tension nominale - Nominal voltage (+/- 10%) | 230 V | 120 V | 230 V | 120 V |
| Fréquence - Frequency | 50 / 60 Hz | 60 Hz | 50 Hz | 60 Hz |
| Puissance alimentation max. - Power max. | 200 W | | 700 W (500 W compressor) | |
| Conformité aux directives Européennes - Compliance with European directives | | | | |
| 98/79/CE : Dispositifs médicaux de diagnostic in vitro In vitro diagnostic medical devices *For IVD References | ✓* | | ✓* | |
| 2014/35/UE : Directive Basse Tension – Low Voltage Directive | ✓ | | ✓ | |
| 2014/30/UE : Directive CEM - EMC directive | ✓ | | ✓ | |
| 2012/19/CE : Directive DEEE - WEEE directive | ✓ | | ✓ | |
| 2011/65/CE : Directive ROHS - ROHS Directive | ✓ | | ✓ | |
| IEC / EN61010-1 (2010) : Sécurité - Safety | ✓ | | ✓ | |
| IEC / EN61010-2-020 (2006) : Sécurité - Safety | ✓ | | ✓ | |
| IEC / EN61010-2-101 (2015) : Sécurité - IVD | ✓ | | ✓ | |
| EN61326-1(2013) : Compatib. électromagn. - EMC compatibility | ✓ | | ✓ | |
| EN55011 2009/A1 (2010) Classe A : Perturbations / Emissions | ✓ | | ✓ | |
| EN ISO 14971 (2012) : Gestion des risques - Risk management | ✓ | | ✓ | |
| ISO 9001 (2015) : Gestion des risques - Risk management | ✓ | | ✓ | |
| ISO 13485 (2016) : Gestion des risques - Risk management | ✓ | | ✓ | |
| Caractéristiques principales (voir brochure) - Main specifications (see brochure for full specification) | | | | |
|  Rotors Microplaques Microplate rotors | Capacité max. Max. capacity | Rotor AFI-LINA-RHDW | 2x3 microplaques ; 2x1 Deepwell 2x3 microplates ; 2x1 Deepwell | |
| | RPM max. | | 4700 rpm | 4700 rpm |
| | ACR max Max. RCF | | 2222 g | 2222 g |
|  Rotors Angulaires Fixed angle rotors | Capacité max. Max. capacity | AFI-LINA6-50 | 6 x 50 ml | |
| | RPM max. | AFI-LINA12-2 WL | 23 000 rpm | 23 000 rpm |
| | ACR max Max. RCF | AFI-LINA12-2 WL | 37 260 g | 37 260 g |
| Couvercle - Lid | ✓ | | | |
| Dimensions & poids - Dimensions & Weight | | | | |
| Dimensions (HxLxL) - Foot print Dimensions (HxWxD) | 28 x 31 x 49 cm | | 32 x 36 x 74 cm | |
| Profondeur de la centrifugeuse sur la paillasse - | 40 cm | | 65 cm | |
| Dimensions emballage (HxLxL) - Package dimension (HxWxD) | 42 x 41 x 74 cm | | 42 x 46 x 87 cm | |
| Hauteur couvercle ouvert - Opened lid height | 65 cm | | 67 cm | |
| Poids net - Weight unpacked | TBC Kg | | TBC Kg | |
| Poids emballé - Weight packed | TBC kg | | TBC kg | |

| Description de la centrifugeuse / Centrifuge description | | | | |
|--|---|-------------|-----------------------------------|-------------|
| Référence - Reference | AFI-CI030 V-E | AFI-CI030 V | AFI-CI030 R-E | AFI-CI030 R |
| Écran EBT 4.3" 4.3" EBT screen | Noir et Blanc type Black and white EBT type | | | |
| Commandes Commands | Touches tactiles Tactile buttons | | | |
| Motion control Commande par gestuelle | Ouverture/ Démarrage et Arrêt du cycle par gestuelle sans toucher à la centrifugeuse Opening/starting and stopping the cycle by gesture without touching the centrifuge | | | |
| Contrôle par microprocesseur Microprocessor control | ✓ | | | |
| Reconnaissance automatique du rotor Automatic rotor recognition | ✓ | | | |
| Détection de balourd Imbalance detection | Calibration ajustable (15g swing out et 3g rotors angulaires). Neutralisation automatique des vibrations liées à l'environnement. Tunable calibration (15g for swing out & 3g for angular rotors). Automatic neutralization of vibrations due to environment | | | |
| Mode économie d'énergie Energy saving mode | Mode "Postcool" désactivable Desactivable "Postcool" mode | | | |
| Fermeture du couvercle Lid closing | Fermeture manuelle & ouverture motorisée Manual closing & motorized opening | | | |
| Durées de cycle Cycle duration | 10 s à 99h:59min:59s & Impulsion 10 s to 99h:59min:59 s & Pulse | | | |
| Unités de température Temperature units | °C / °F | | | |
| Chambre de centrifugation Centrifugation chamber | Inox | | | |
| Densité max. Max. density | 1.2 g / cm ³ | | | |
| Moteur à induction sans charbon Brushless induction motor | ✓ | | | |
| Vitesse mini / Maxi Mini / Max Speed | 300 / 23000 rpm | | 300 / 23000 rpm | |
| Pas de réglage de la vitesse Speed setting step | 10 rpm | | | |
| Précision de vitesse Speed accuracy | ± 0.5% | | | |
| Nombre de programmes Programs number | 99 | | 99+2 | |
| Fonction Pulse Pulse (short run) | ✓ | | | |
| Pentes d'accélération & de freinage Acceleration & Braking slopes | 10 & 10 | | | |
| Décélération libre Brakeless mode | ✓ | | | |
| Système de réfrigération Cooling system | Ventilation Ventilation device | | Sans CFC Without CFC | |
| Plage de réglage en température Range of setting temperature | N/A | | -20°C → +40°C | |
| Fonction de pré-refroidissement Precool function | N/A | | ✓ Precool program of 6 minutes | |
| Précision en température Temperature accuracy | N/A | | +/- 2°C | |
| Dissipation de chaleur maximale Heat dissipation | 680 BTU/h | | 2390 BTU/h | |
| Niveau sonore max. Max. noise | ≤ 60 dB(A) | | ≤ 55 dB(A) | |



M A D E I N F R A N C E

AFI Centrifuge

3 Rue Nicolas Copernic - 53200 Château Gontier - France

Tel. +33 2 43 06 15 19

<http://www.afigroups.com>

e-mail: contact@afigroups.com

*Scan me to discover
AFI catalogs*



* If necessary or useful without affecting the essential characteristics of a model, the technical and stylistic characteristics may be modified without prior notice from the manufacturer.