

|| TMS-200 / TMS-300 Thermo Shaker Incubator

TMS-200 / TMS-300 thermo shaker incubator has small size and fast shaking speed, integrating shaking and incubation functions and intelligent operation concept . It not only can mix various microtubes, PCR plates, deepwell plates and microplates and other common laboratory consumables, but also has the function of heating and incubating various blocks.



TMS-200 / TMS-300

LCD

LCD displays time and speed; it's easy to accurately set and reproduce experimental conditions.

Self-recovery

Power failure self-recovery function, the device can automatically resume operation according to the originally set procedure after power failure recovery. The experimental conditions are consistent and the results are stable.

Accurate Temp. Control

Patented technology and anti-vibration technology support accurate and efficient mixing and temperature control, with programmable functions to improve experimental repeatability



Mixing orbit 2 mm and 3 mm, coordinating the shaking speed, forms a 2D mix and has an excellent sample mixing ability.

CE

Multiple safety protection functions, conforming CE safety standards, safe and reliable.

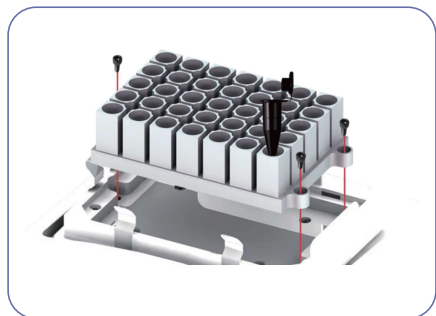
Customizable Block

Various standard sample blocks are available, which is easy to be replaced. The blocks with special specifications can be customized.

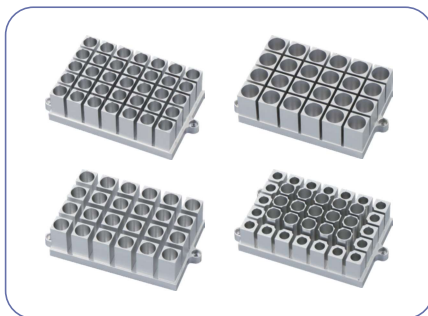
Specification

| | TMS-200 | TMS-300 |
|----------------------------|-------------------------------------|-------------------------------------|
| Temp. control range | RT.+5 °C~100 °C | RT.+5 °C~100 °C |
| Temp. uniformity | ≤0.5 °C | ≤0.5 °C |
| Timer range | 1 min~99 h59 min | 1 min~99 h59 min |
| Temp. control accuracy | ±0.25 °C (37 °C) ±0.5 °C (95 °C) | ±0.25 °C (37 °C) ±0.5 °C (95 °C) |
| Display accuracy | ±0.1 °C | ±0.1 °C |
| Shaking speed | 300~3000 rpm | 300~2000 rpm |
| Heating time (25 ~ 100 °C) | ≤12 min | ≤12 min |
| Mixing orbit | 2 mm | 3 mm |
| Dimension (mm) | 230×170×165 | 230×170×165 |
| Weight | 5.5 kg | 5.5 kg |

TMS-200 / TMS-300 Suitable Block



Easy to replace blocks



Various types of blocks



Tube holder

Ordering Information

| Code | Description |
|-------------|---|
| AS-02050-00 | TMS-200 thermo shaker incubator; AC100~240 V, 50/60 Hz, 150 W |
| AS-02060-00 | TMS-300 thermo shaker incubator; AC100~240 V, 50/60 Hz, 150 W |

| Code | Type | Description | Max. Speed rpm |
|-------------|-------|-------------------------------------|----------------|
| AS-02051-01 | A-200 | 96×0.2 mL tubes | 1700 / 1500 |
| AS-02051-02 | B-200 | 54×0.5 mL tubes | 1700 / 1500 |
| AS-02051-03 | C-200 | 35×1.5 mL tubes | 1700 / 1500 |
| AS-02051-04 | D-200 | 35×2.0 mL tubes | 1700 / 1500 |
| AS-02051-05 | E-200 | 15×1.5 mL+20×0.5 mL tubes | 1700 / 1500 |
| AS-02051-06 | F-200 | 24×Dia.≤φ12 mm tube | 1500 / 1200 |
| AS-02051-07 | G-200 | 32×0.2 mL+25×1.5 mL tubes | 1700 / 1500 |
| AS-02051-08 | H-200 | 32×0.2 mL+10×0.5 mL+15×1.5 mL tubes | 1700 / 1500 |
| AS-02051-09 | I-200 | 103×67×30 mm rectangular bath block | 1500 / 1200 |
| AS-02051-10 | J-200 | 96×0.2 mL microplate | 1700 / 1500 |
| AS-02051-11 | K-200 | 24×5 mL tubes | 1500 / 1200 |
| AS-02031-01 | MIX-A | 96×0.2 mL PCR tube holder | 3000 / 2000 |
| AS-02031-02 | MIX-B | 24×0.5 mL tube holder | 3000 / 2000 |
| AS-02031-03 | MIX-C | 24×1.5/2.0 mL tube holder | 3000 / 2000 |
| AS-02031-04 | MIX-D | 8×15 mL tube holder | 1100 / 900 |
| AS-02031-05 | MIX-E | 3×50 mL tube holder | 1100 / 900 |

Note: The number in red means Max. speed when this block in TMS-200, and the number in black means Max. speed when this block in TMS-300.